



**DA-2000 Electric
&
Battery Tilt Only
Motorized Vertical Blind Systems**

Planning and Installation Guide

DECOMATIC MOTORIZED VERTICAL WALL SWITCH CONTROL INSTALLATION

STEP 1

Plug control cable into back of motor and into the wall switch (note: cover snaps off of the wall switch to allow control cable installation).

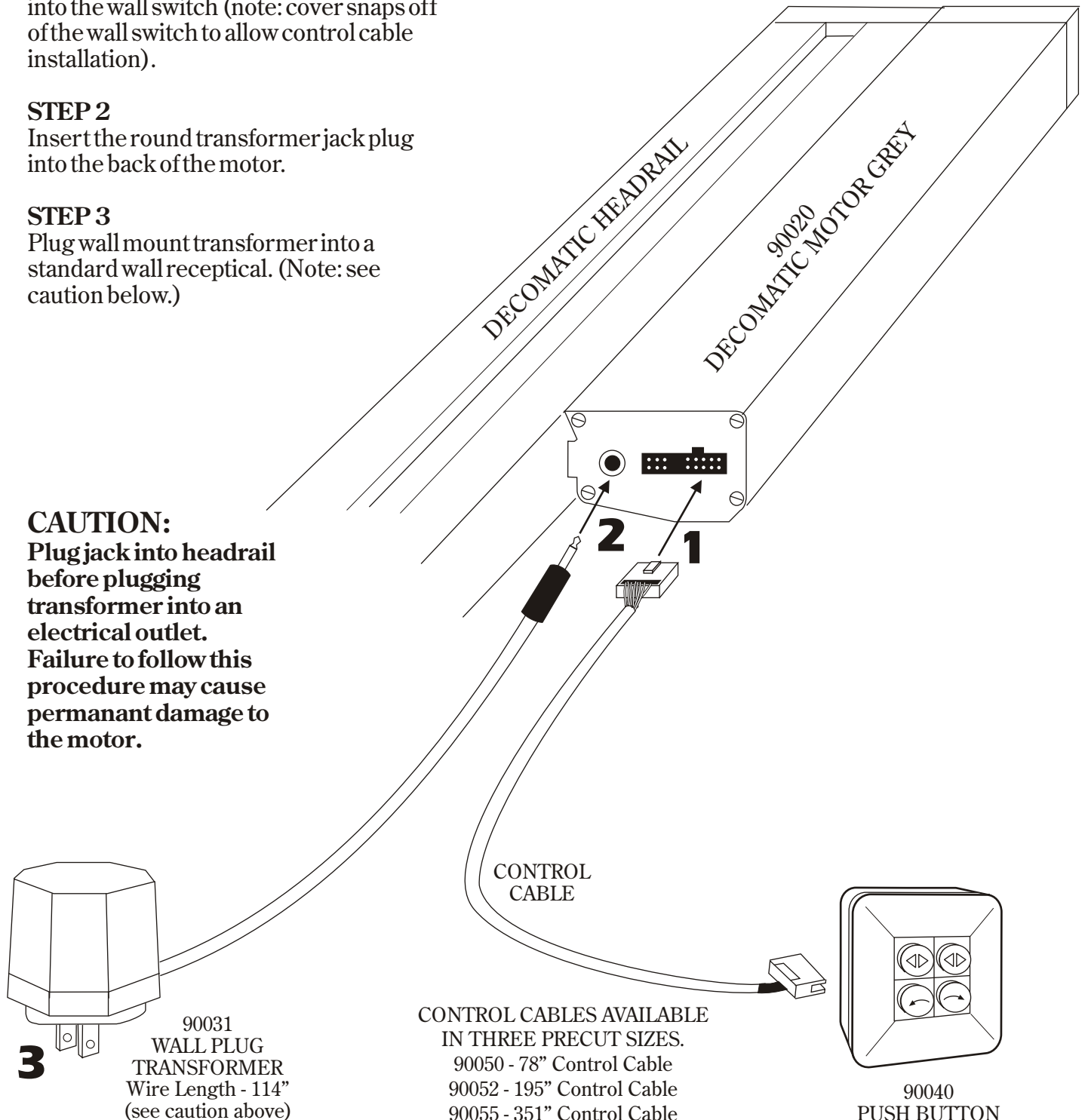
STEP 2

Insert the round transformer jack plug into the back of the motor.

STEP 3

Plug wall mount transformer into a standard wall receptical. (Note: see caution below.)

CAUTION:
Plug jack into headrail before plugging transformer into an electrical outlet. Failure to follow this procedure may cause permanent damage to the motor.



CONTROL CABLES AVAILABLE
IN THREE PRECUT SIZES.

90050 - 78" Control Cable

90052 - 195" Control Cable

90055 - 351" Control Cable

ALSO AVAILABLE
IN CUSTOM LENGTHS.

DECOMATIC MOTORIZED VERTICAL REMOTE CONTROL INSTALLATION

STEP 1

Plug control cable into back of motor and clip infrared receiver to front of headrail with clips provided.

STEP 2

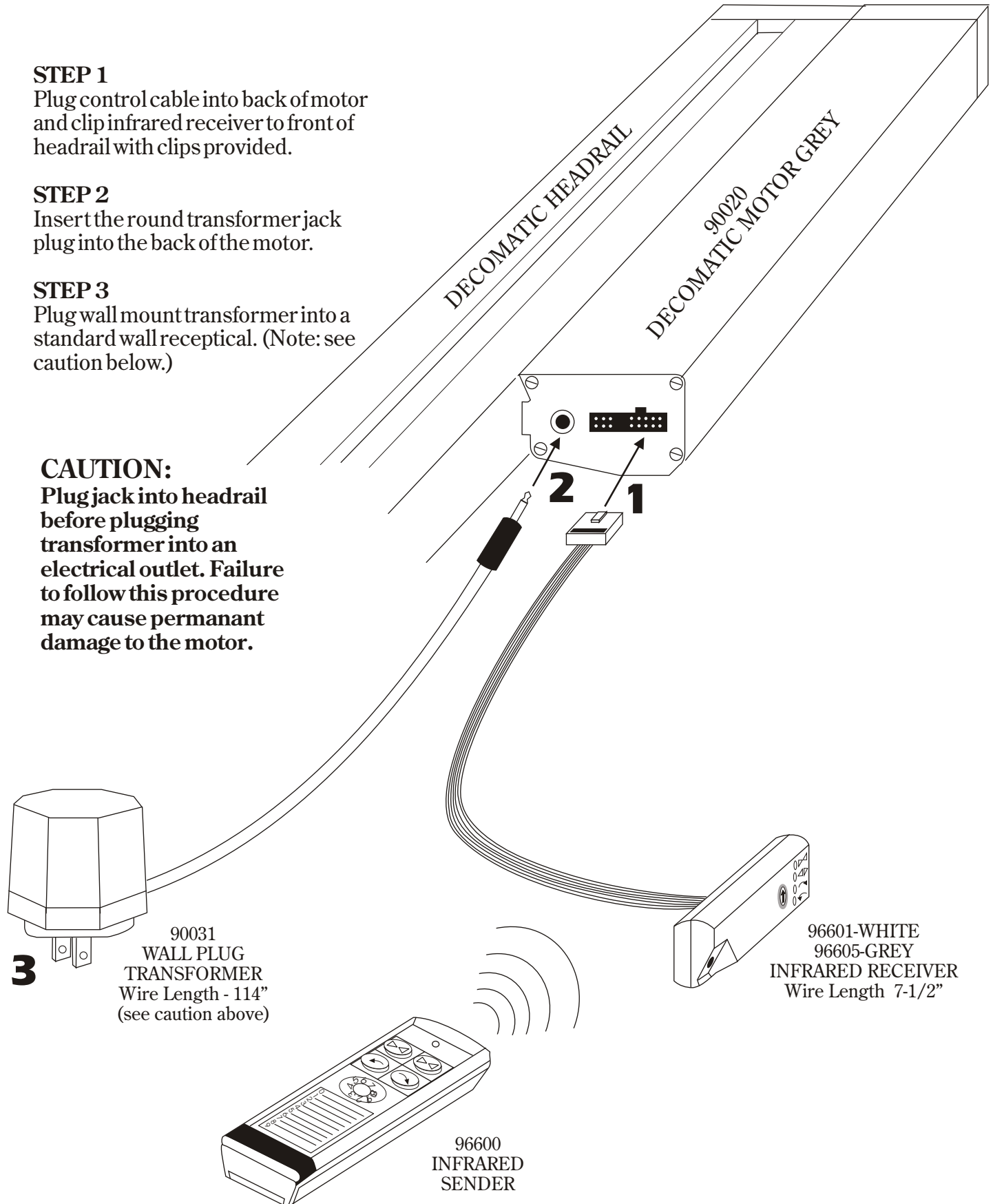
Insert the round transformer jack plug into the back of the motor.

STEP 3

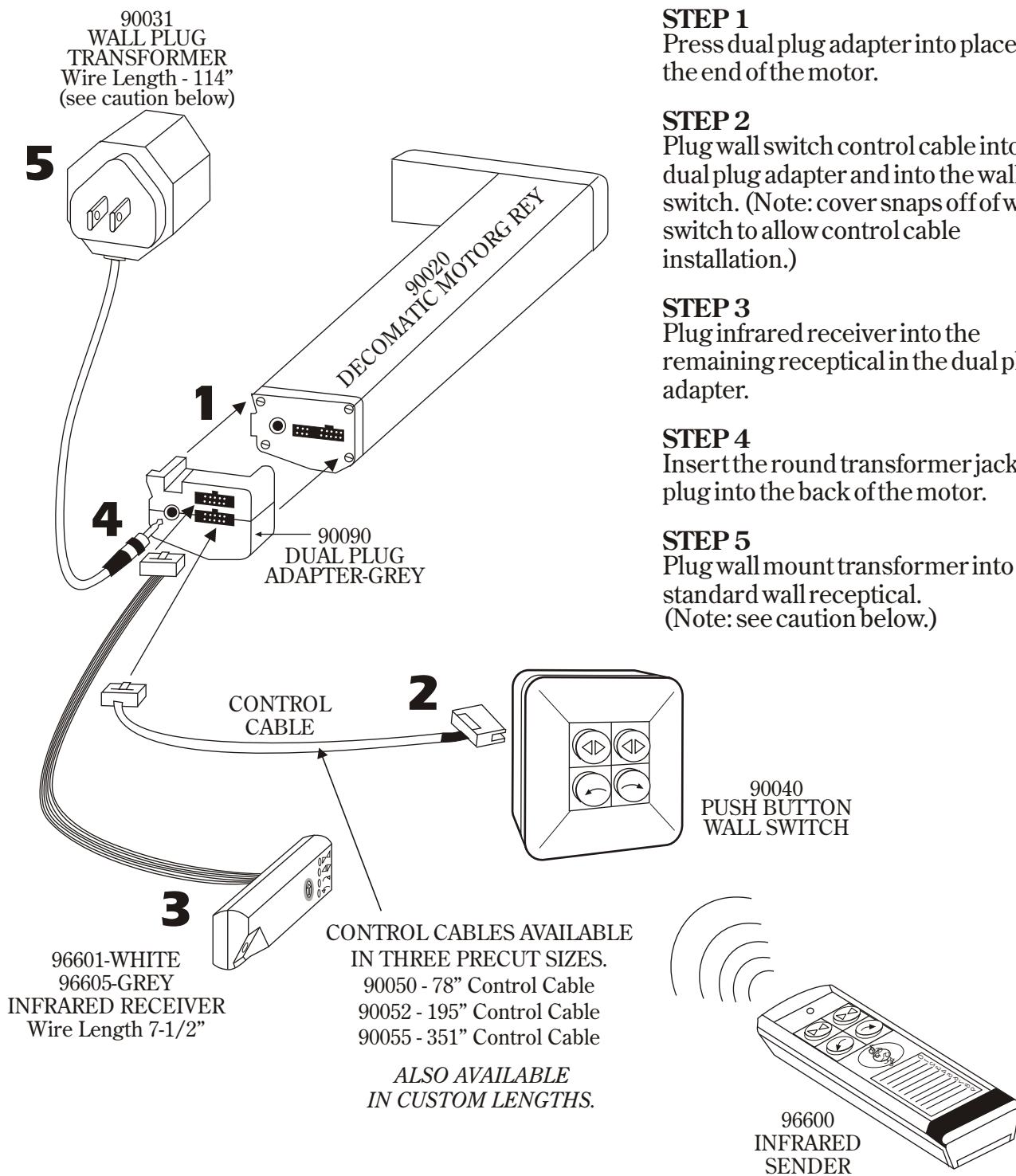
Plug wall mount transformer into a standard wall receptical. (Note: see caution below.)

CAUTION:

Plug jack into headrail before plugging transformer into an electrical outlet. Failure to follow this procedure may cause permanent damage to the motor.



DECOMATIC MOTORIZED VERTICAL WITH DUAL CONTROLS (INFRARED REMOTE AND WALL SWITCH)



STEP 1

Press dual plug adapter into place on the end of the motor.

STEP 2

Plug wall switch control cable into the dual plug adapter and into the wall switch. (Note: cover snaps off of wall switch to allow control cable installation.)

STEP 3

Plug infrared receiver into the remaining receptical in the dual plug adapter.

STEP 4

Insert the round transformer jack plug into the back of the motor.

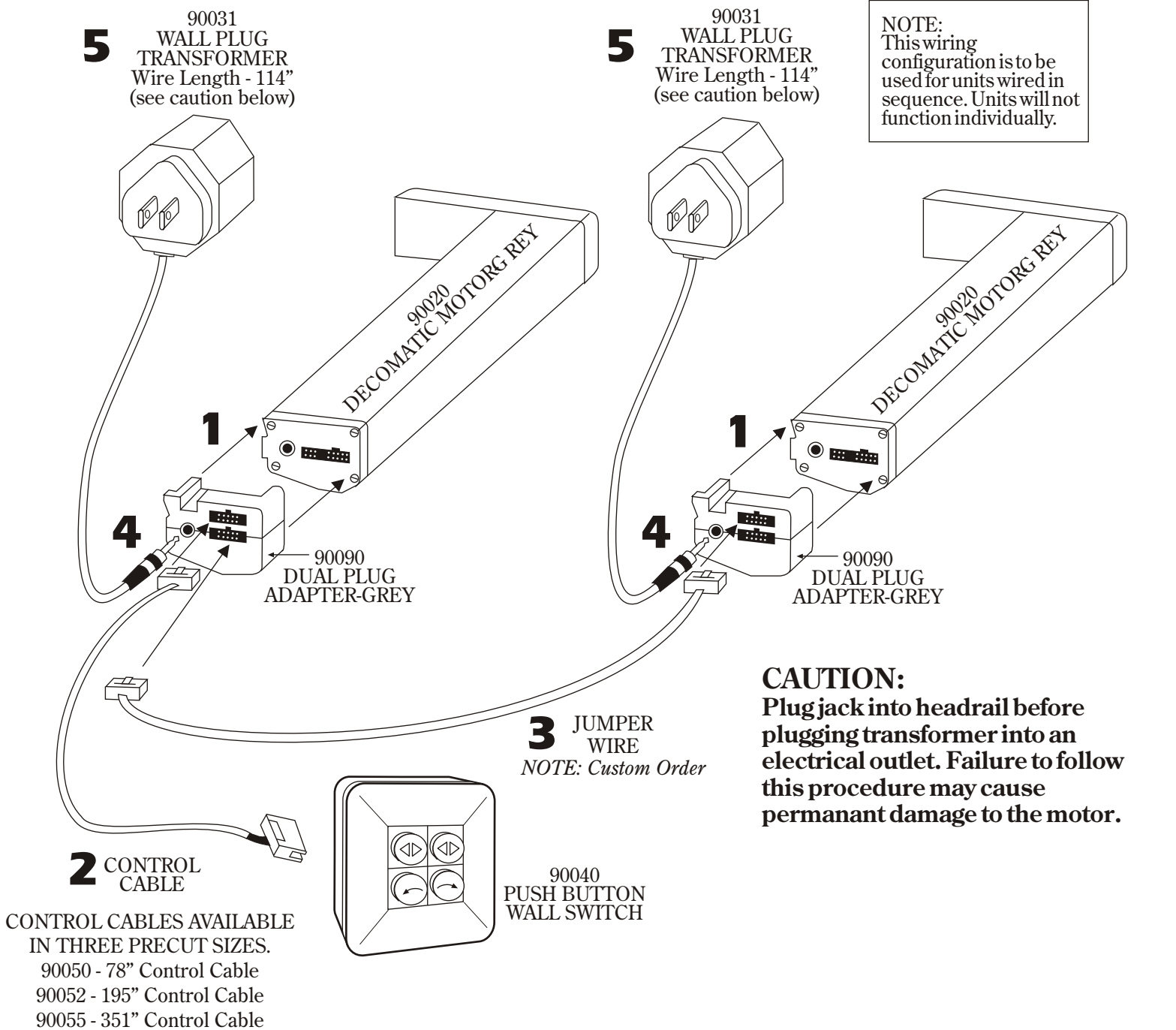
STEP 5

Plug wall mount transformer into a standard wall receptical. (Note: see caution below.)

CAUTION:

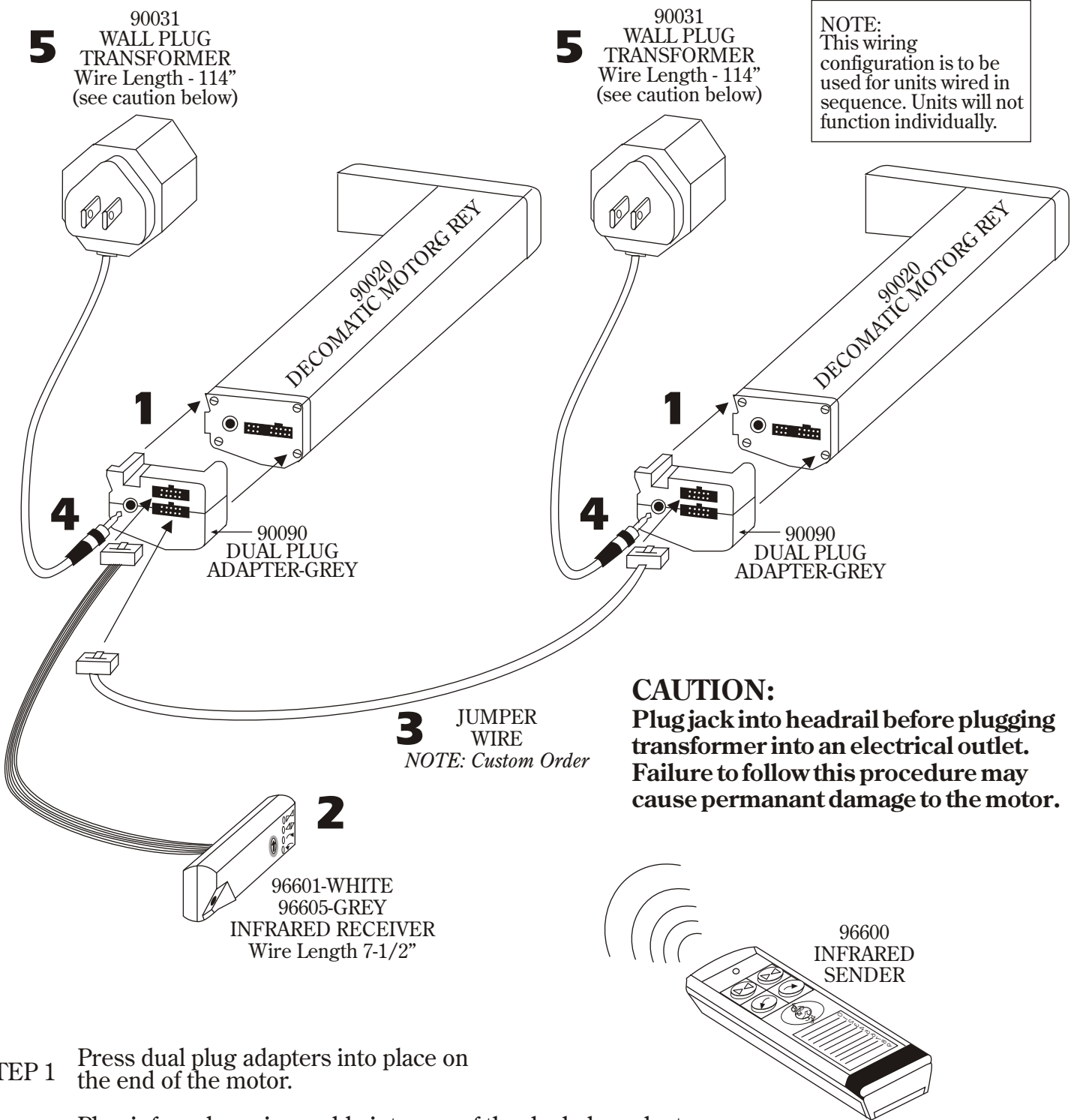
Plug jack into headrail before plugging transformer into an electrical outlet. Failure to follow this procedure may cause permanent damage to the motor.

DECOMATIC MOTORIZED VERTICAL MULTI UNIT HOOK UP WITH WALL SWITCH CONTROL



- STEP 1** Press dual plug adapters into place on the end of the motors.
- STEP 2** Plug wall switch control cable into the dual plug adapter and into the wall switch. (Note: cover snaps off of wall switch to allow control cable installation.)
- STEP 3** Plug jumper wire between the two motors into the dual plug adapters.
- STEP 4** Insert the round transformer jack plugs into the back of the motors.
- STEP 5** Plug wall mount transformers into a standard wall receptical. (Note: see caution above.)

DECOMATIC MOTORIZED VERTICAL MULTI UNIT HOOK UP WITH INFRARED REMOTE CONTROL

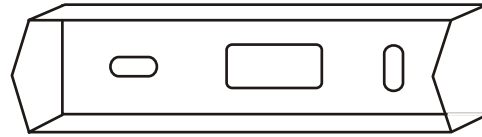
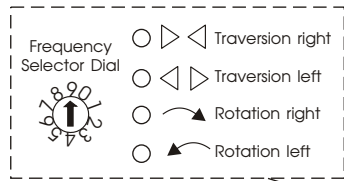


- STEP 1 Press dual plug adapters into place on the end of the motor.
- STEP 2 Plug infrared receiver cable into one of the dual plug adapters.
- STEP 3 Plug jumper wire between the two motors into the dual plug adapters.
- STEP 4 Insert the round transformer jack plugs into the back of the
- STEP 5 motors. Plug wall mount transformers into a standard wall receptical. (Note: see caution above.)

INFRARED REMOTE CONTROL FUNCTIONS

TEMPORARY FUNCTION

(All functions can be controlled at the headrail if sender is misplaced or temporarily nonfunctional.)

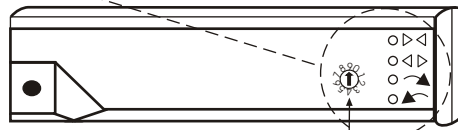
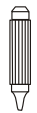


RECEIVER WALL MOUNT BRACKET



Clear clips for mounting receiver to headrail.

FREQUENCY ADJUSTER PIN

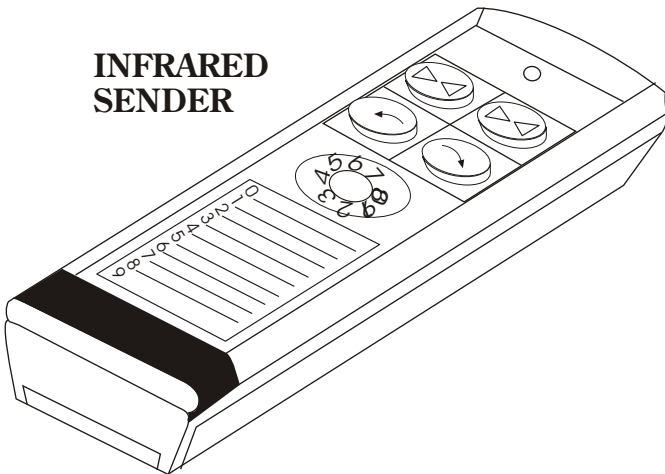


FREQUENCY SELECTOR DIAL

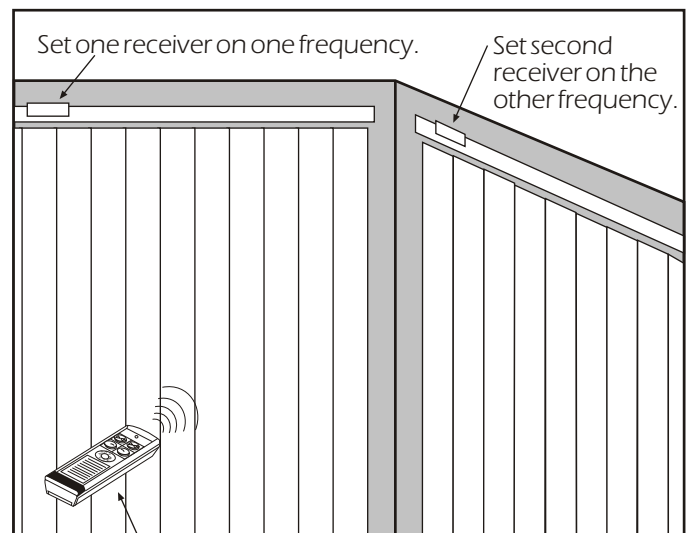
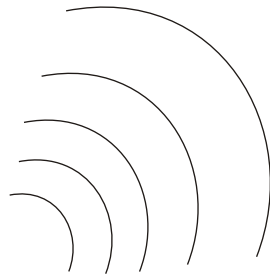
Turn selector dial with adjuster pin to change the frequency.

Note: To program two or more headrails mounted close together, but independently controlled, set receivers on different frequencies.

INFRARED SENDER

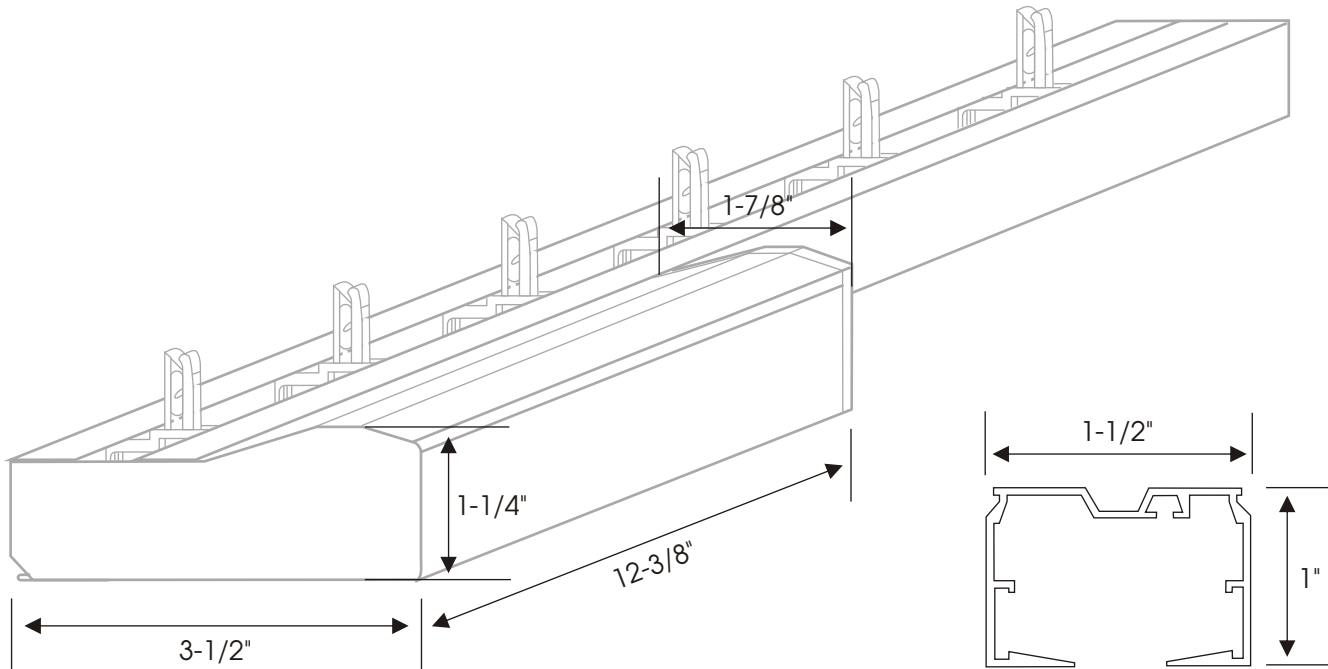


Infrared remote sending unit is equipped with a frequency selector dial. This feature can be used to control up to 10 separate headrails independently.



Simply turn frequency selector dial on the sending unit to control the units independently.

DA2000 TECHNICAL INFORMATION



Extrusion alloy 6063-T5
Wall thickness: .045 to .050

Controls: 1. Wall switch
2. Infrared remote control (with manual over-ride).

Motor Location: To the left behind the track.

Power Supply: 110v AC-12v
.85 amp. power pack with standard plug-in connection.

Motor Specification: 2 motors, each with planetary drive.
Aluminum housing with plastic end caps.

Vane Width: 2", 2-1/2", 3-1/2", 4", 5"

Installation Width: Max. 20'

Installation Height: Max. 16'

Installation Surface: Max. 320' sq. depending on the weight of the shade.
Max. suggested vane weight is 65 lbs.

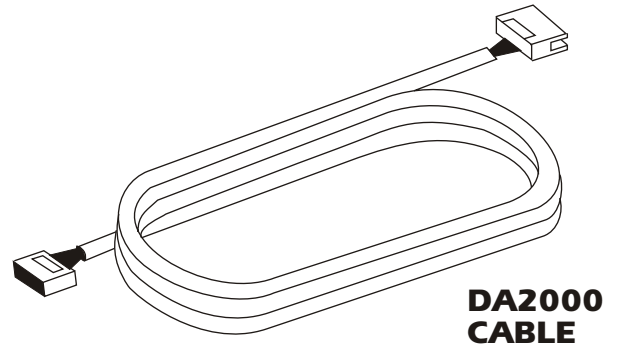
Operating Speed: Approx. 10'/minute

Colors: Grey and White

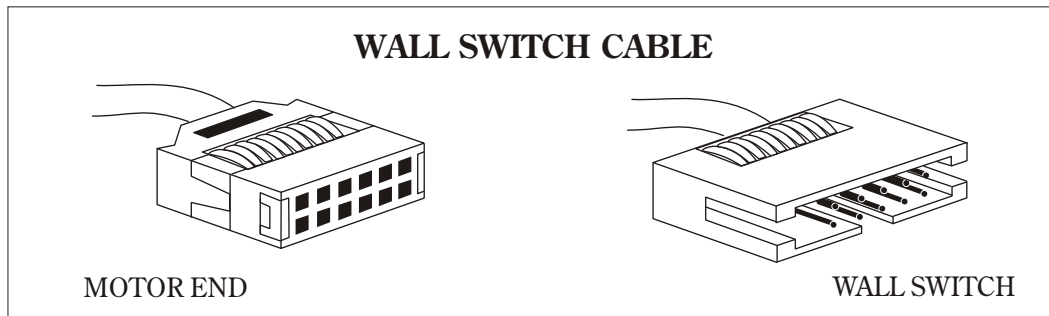
DA2000 MOTORIZED HEADRAIL CABLE

Typical Installation

1. In some installations, special length cables are needed to simplify your DA2000 motorized installation. Please note these cable descriptions.

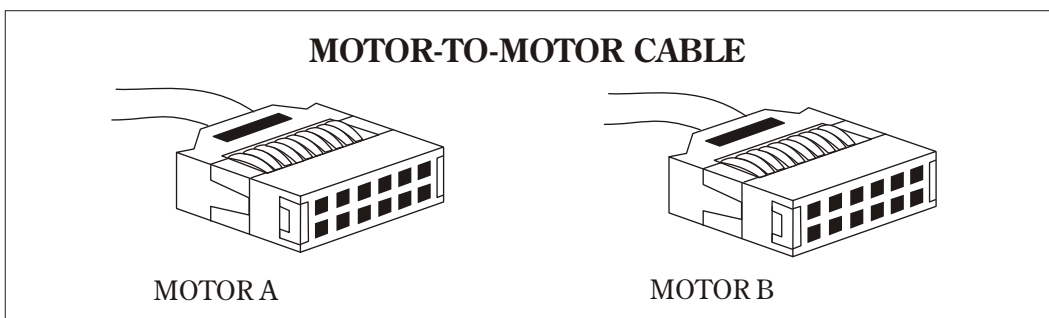


When connecting a motor to wall switch and a standard 2m, 5m, or 9m cable is not long enough, please specify part #90056 and the proper length. This cable will come equipped with the following two ends:

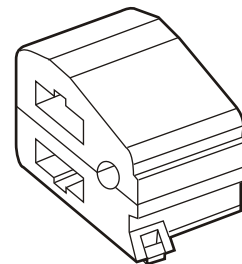


2. When using an infrared receiver for the remote control option and the location of the infrared receiver must be longer than the supplied cable, order cable #90056 and give the needed length. This cable will come with the same ends as above. I.E. Wall mount or valance mount.

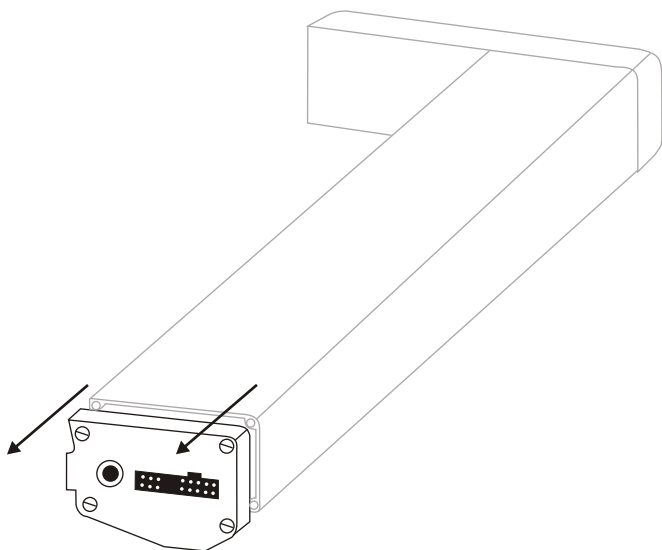
3. When a multiple motor installation is being used, you will need a cable to connect the two motors. This cable is for motor control only. Each motor used will still need a transformer for power supply. When ordering a "motor-to-motor" cable, please specify part #90057 and give the proper length. This cable will have the following ends:



*NOTE: It is necessary to purchase one dual plug adapter, part #90090 for each motor when completing a "motor-to-motor" installation.

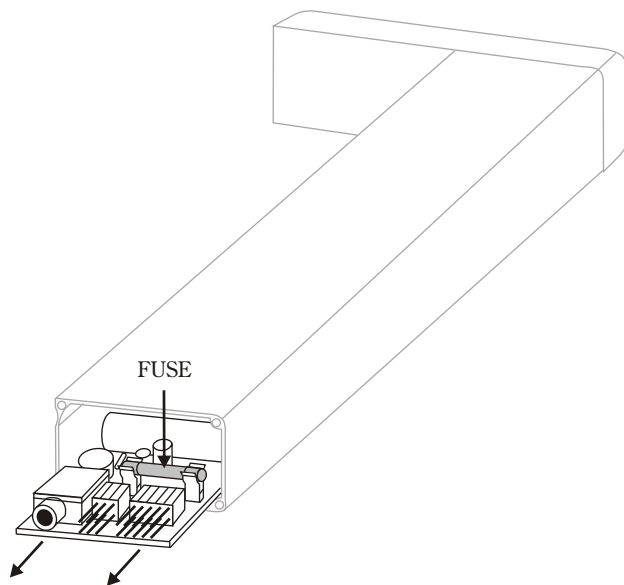


DA2000 DECOMATIC MOTOR FUSE REPLACEMENT



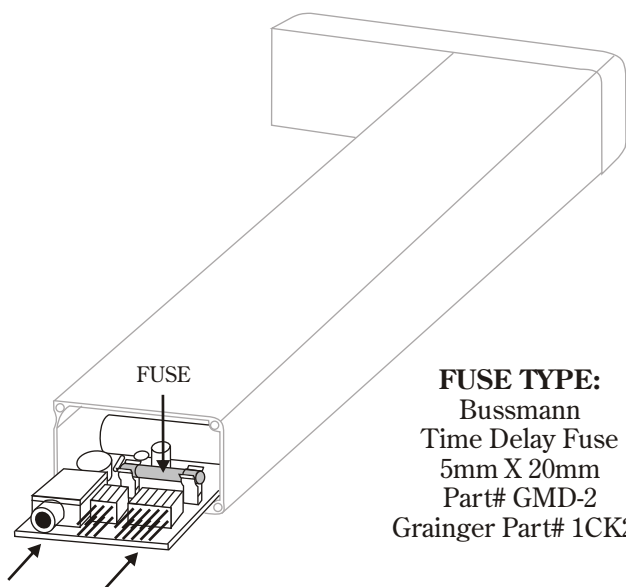
STEP 1

Remove endcap by unscrewing the endcap screws.



STEP 2

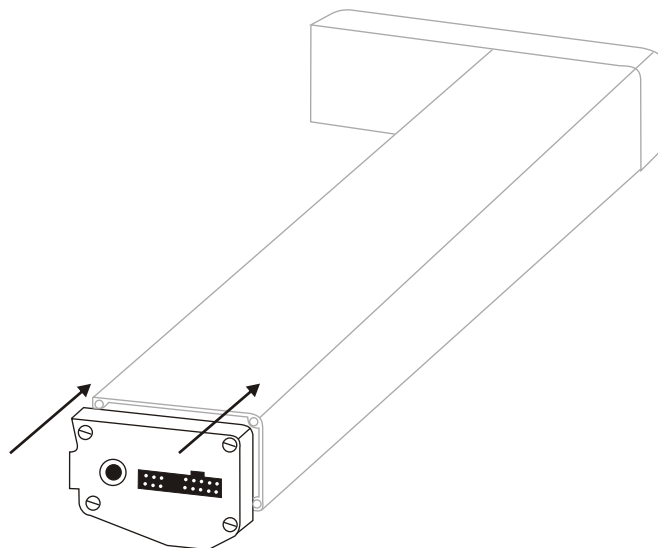
Carefully pull motor out **ONLY** far enough to remove fuse (if pulled out too far it will not slide back in smoothly).



STEP 3

Remove fuse and replace with a new 2 Amp. fuse. Slide motor back in.

FUSE TYPE:
Bussmann
Time Delay Fuse
5mm X 20mm
Part# GMD-2
Grainger Part# 1CK24



STEP 4

Replace endcap.



Decomatic Battery Operated Motor Assembly Procedures

The Battery Motor Endcap is available in Left Hand Motor and Right Hand Motor variations and also in White or Grey.

The Motor Endcap is 7/8" wide and is designed to have the vane to proceed to the end of the headrail. The Decomatic headrail must be cut as follows for the assemble of the Battery Motor System:

Example: 18" finished length Decomatic Battery Motor sample.

1. Run STC or Assembly Manual for 18" headrail size.
2. Build traveller train to specs.
3. Cut headrail at minus 1-1/4". (Example: 18" - 1-1/4" = cut at 16-3/4")
4. Cut tilt shaft at minus 1". (Example: 18" - 1" = cut at 17")

To complete battery motor endcap, use the following standard endcap kits with motor kit.

Battery Motor Endcap to be used with Standard Decomatic Endcap

96751 Grey Left Hand Motor Endcap..... 90550 Grey Endcap Right Hand

96752 White Left Hand Motor Endcap..... 90553 White Endcap Right Hand

96754 Grey Right Hand Motor Endcap.....90492 Grey Endcap Left Hand

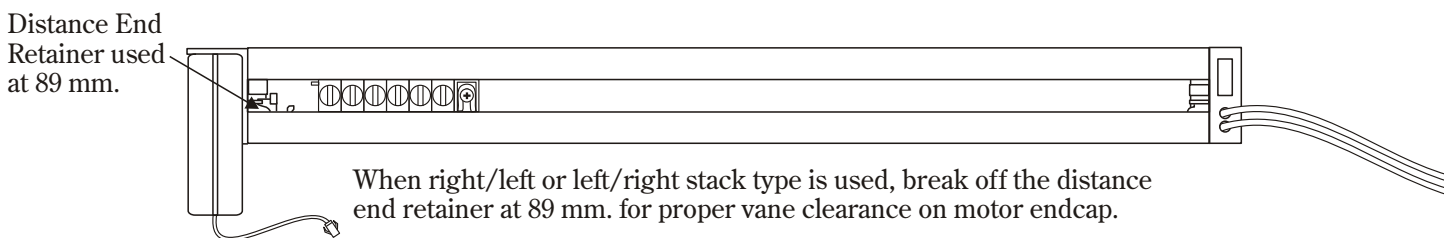
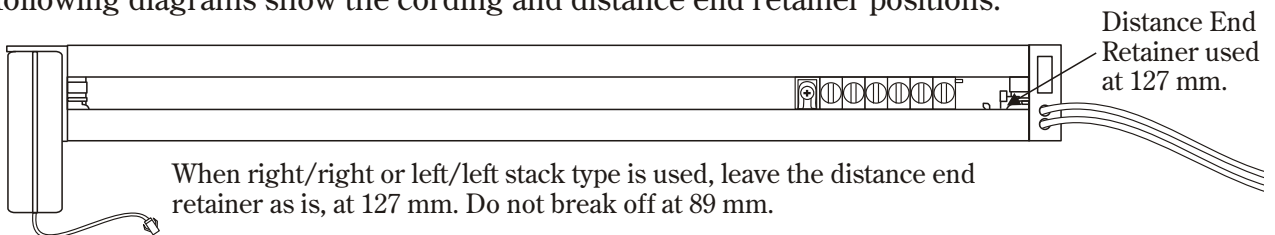
96755 White Right Hand Motor Endcap.....90559 White Endcap Left Hand

(Endcap kits include: motor endcap and distance end retainer for motor system, motor, battery pack, receiver, and sender. *Batteries are not included.)

To assemble motor endcap, use the axle and pulley and speed nut from the return end housing of the standard endcap kit and discard the return end housing and endcap cover.

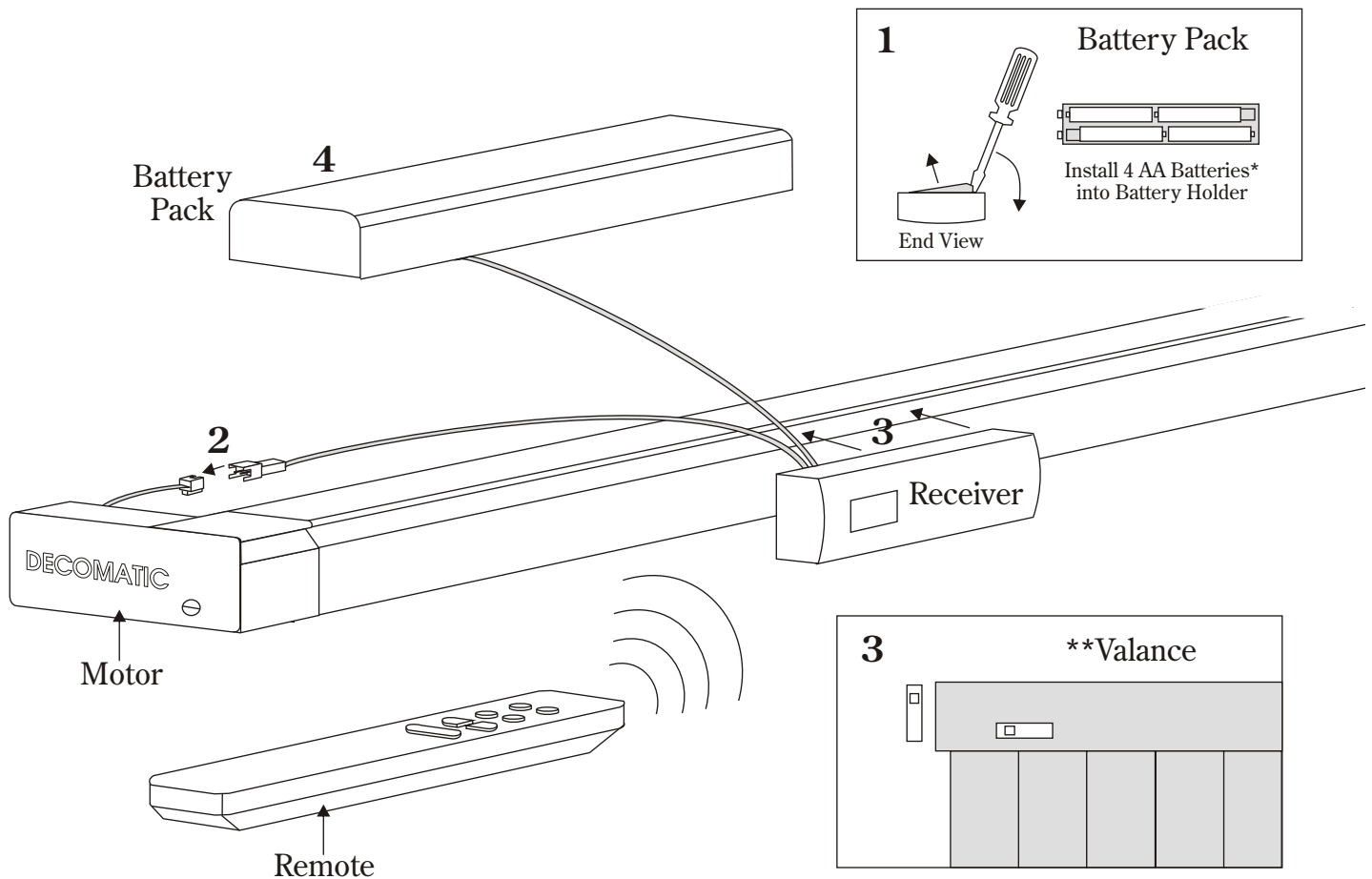
NOTE: The use of a distance stopper (part #90596) is not needed in the assembly of the Decomatic Battery Motor with 3-1/2" spacing.

The following diagrams show the cording and distance end retainer positions.



*NOTE: The distance end retainer is broken off at 89 mm. only when it is used on the motor side.

BATTERY POWERED MOTOR HOOK-UP PROCEDURE



STEP 1: Install 4 AA batteries* into battery pack. Remove back cover by prying with a screwdriver or similar object. Remove cardboard piece (foam tape) and insert batteries.

STEP 2: Connect the receiving unit plug into the rear of the motor.

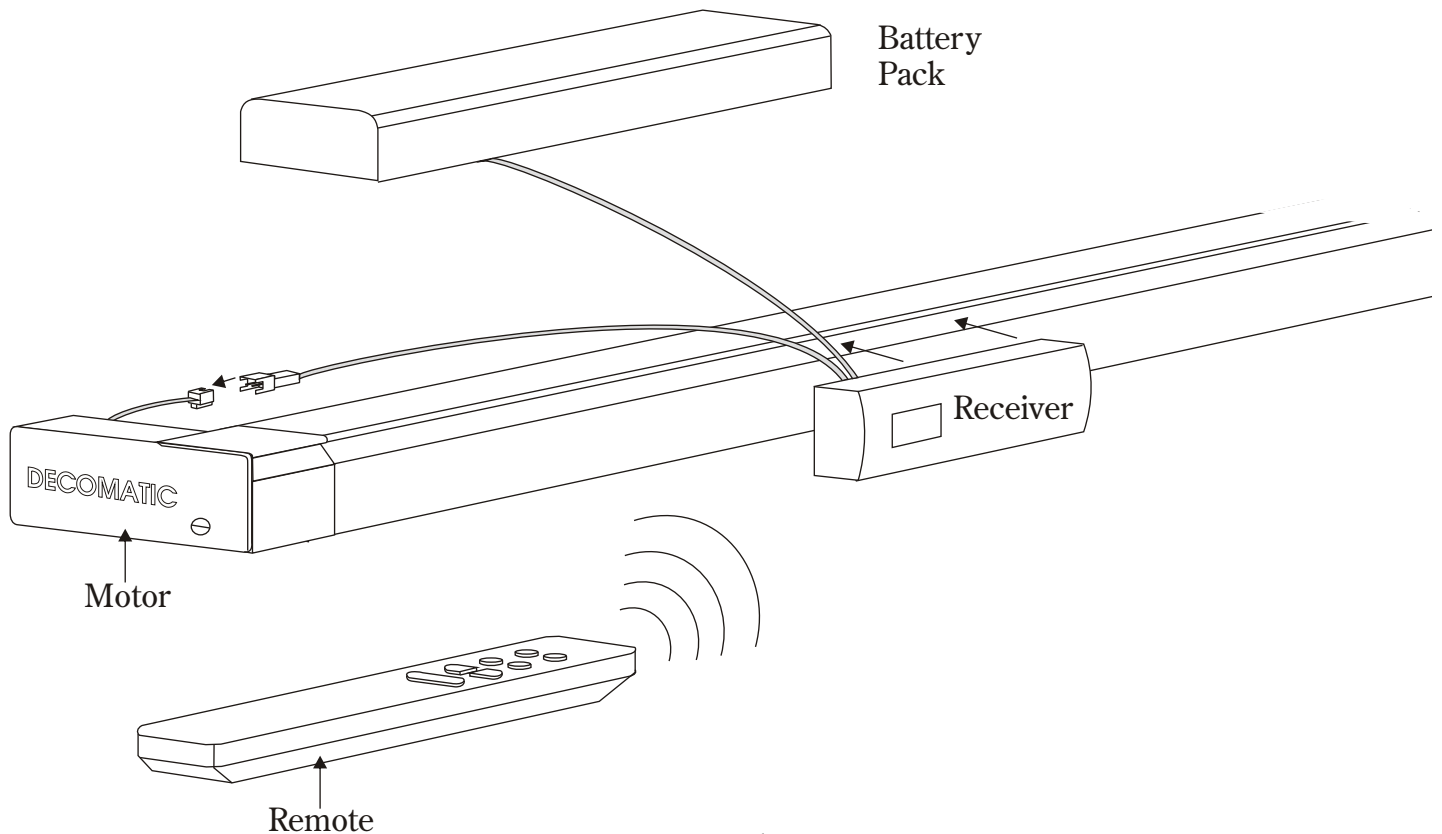
STEP 3: Remove paper backing from the foam tape that is on the back of the receiving unit and stick the receiving unit onto the face of the headrail. **If there is a valance, stick the receiving unit onto the face of the valance or on the wall.

STEP 4: Place battery pack in an inconspicuous space on top of the headrail or onto the wall. There is a piece of double faced foam tape included on the cardboard to stick the battery pack in place if desired.

*Batteries Not Included

NOTE: If motor does not operate, please make sure your batteries are charged and installed properly.

BATTERY POWERED ROTATION ONLY DECOMATIC MOTOR SYSTEM



- Remote Control
- Operates 1 Year on a Set of Batteries (Average Usage)
- Operates on 4 AA Batteries* (Battery Pack) and 2 AAA Batteries* (Remote Control).
- System Consists of:
 - 1 - Remote Control Sender (Black only)
 - 1 - Battery Pack (White Only)
 - 1 - Receiving Unit (White Only)
 - 1 - Decomatic Motor Unit (White Only)
 - 1 - Decomatic Motor Return Endcap (Grey or White)

Battery Motor Endcap to be used with Standard Decomatic Endcap

96751 Grey Left Hand Motor Endcap.....	90550 Grey Endcap Right Hand
96752 White Left Hand Motor Endcap.....	90553 White Endcap Right Hand
96754 Grey Right Hand Motor Endcap.....	90492 Grey Endcap Left Hand
96755 White Right Hand Motor Endcap.....	90559 White Endcap Left Hand

*Batteries Not Included.

NOTE: If motor does not operate, please make sure your batteries are charged and installed properly.



Decomatic® Warranty

Sunteca Systems, Inc. ("Company") warrants that its Products will be free from defects in materials and workmanship, under normal use and service and subject to the conditions set forth below, for the following respective time periods:

HEAD RAIL: LIFETIME LIMITED WARRANTY

Company warrants that its Head rail sold hereunder will substantially conform to the applicable specifications and will be free from defects in material and workmanship for the life of the Head rail, under normal and proper use and service.

BLIND LOUVERS/FABRIC/PVC: 3 YEAR LIMITED WARRANTY

Company warrants that its blind louvers, or fabric, or PVC sold hereunder will substantially conform to the applicable specifications and will be free from defects in material and workmanship for a period of three (3) years after date of purchase, under normal and proper use and service.

ELECTRICAL COMPONENTS: 2 YEAR LIMITED WARRANTY

Company warrants that its Electrical components sold hereunder will substantially conform to the applicable specifications and will be free from defects in material and workmanship for a period of two (2) years after the date of purchase, under normal and proper use and service.

WARRANTY LIMITATION. This limited warranty and remedies for breach of warranty extend only to the ultimate owner at the original site of installation and do not cover, and Company shall not be liable for, (i) abnormal wear and tear or damage caused by improper installation, maintenance or use contrary to the instructions published by Company (ii) storage of Products in a wet or damp area or unprotected from weather and other job conditions (iii) any cause beyond the control of Company, including without limitation conditions caused by movement, settlement or structural defects of building in which the Products are installed, fire, wind, hail, flood, lightning or other acts of God, intentional acts, accidents, negligence or exposure to harmful chemicals, pollutants or other foreign matter or energy, or (iv) repair or damage caused by anyone except personnel authorized by Company. Products repaired or replaced and designs corrected under warranty are warranted only for the remainder of the original warranty period if a time limitation has been given. Any general product literature is for illustrative purposes only and does not amount to a warranty of any kind. Purchaser accepts full responsibility for the selection of the Products to achieve intended results.

THIS LIMITED WARRANTY AS SET FORTH HEREIN IS STRICTLY Limited TO ITS TERMS AND IS IN LIEU OF ALL OTHER WARRANTIES, GUARANTEES, EXPRESS OR IMPLIED, ARISING BY OPERATION OF LAW, COURSE OF DEALING, USAGE OF TRADE OR OTHERWISE, ANY IMPLIED WARRANTIES INCLUDING BUT NOT LIMITED TO ANY IMPLIED WARRANTIES OF MERCHANTABILITY OR FITNESS FOR A PARTICULAR PURPOSE SHALL BE LIMITED IN DURATION TO THE WARRANTY PERIODS OF TIME SET FORTH ABOVE.

REMEDY. PURCHASER'S SOLE AND EXCLUSIVE REMEDY UNDER THIS LIMITED WARRANTY OR ANY OTHER WARRANTY (INCLUDING ANY IMPLIED WARRANTY), AND COMPANY'S ONLY OBLIGATION FOR BREACH OF WARRANTY FOR PRODUCTS FURNISHED HEREUNDER, SHALL BE, AT COMPANY'S OPTION, TO REPAIR OR REPLACE THE DEFECTIVE ITEM(S) OR PART(S) WHICH FAIL WITHIN THE DESIGNATED WARRANTY TIME PERIOD, FREE OF CHARGE, provided that Purchaser promptly give notice, but no later than 30 days after defect(s) is discovered, to Company of such failure. In the event Purchaser claims that the Products are defective, Purchaser must return such Products to Company, prepaid FOB, to allow Company to examine the Products to determine if such Products are defective. In addition, upon Company's request, Purchaser must allow Company's personnel access and permission to inspect the Products at the site of installation or use. NOTWITHSTANDING THIS WARRANTY, UNDER ALL CIRCUMSTANCES, PURCHASER IS RESPONSIBLE FOR THE COSTS OF REMOVAL, INSTALLATION OR REINSTALLATION OF THE PRODUCT.

DISCLAIMER: LIMITATION OF LIABILITY / TIME FOR CLAIMS. Purchaser understands and agrees that COMPANY SHALL NOT BE LIABLE FOR INCIDENTAL, SPECIAL, INDIRECT OR CONSEQUENTIAL OR OTHER SIMILAR DAMAGES including but not limited to loss of profit or revenues, damage for loss of the use of the products, damages due to delay, damage to property, claims of third parties, including personal injury or death suffered as a result of use of products or failure of Company to warn, or to adequately warn, against the dangers of the products or to instruct, or adequately instruct, about the safe and proper use of the products, whether or not the Company has been advised to the potential for such damages. The total liability of Company to Purchaser from any cause whatsoever, whether arising under contract, warranty, tort (including negligence), strict liability, products liability or any other theory of liability, will be limited to the lesser of Purchaser's actual damages or the purchase price paid to Company for the products that are the subject of Purchaser's claim. However, this limitation of liability does not apply to damages resulting from personal injury caused by Company's negligence. All claims against Company must be brought within one year after the cause of action arises, and Purchaser expressly waives any statute of limitations which might apply by operation of law or otherwise.

COMPANY SHALL NOT BE LIABLE FOR ANY DAMAGE OR PENALTIES WHATSOEVER, WHETHER, DIRECT, INDIRECT, INCIDENTAL, SPECIAL OR CONSEQUENTIAL, FOR ACTIONS AND OMISSIONS RESULTING FROM COMPANY'S FAILURE TO DELIVER OR DELAY IN DELIVERY FOR ANY REASON.

CLAIMS FOR WARRANTY SERVICE

To obtain warranty service, Purchaser must notify company and the dealer which sold the product in writing of the nature of the problem. In the written notice, Purchaser must include its name, address, telephone number, a description of the problem and the date on which the problem first occurred. A bill of sale, canceled check, receipt or other proof of purchase also must be provided to verify the date of purchase and the identity of the Purchaser. In some cases, Company may require Purchaser to ship the defective part(s), transportation or other related charges prepaid, to the nearest warranty service factory location. Purchaser must contact Company and the dealer that sold the Product as soon as possible, but no later than 30 days, after the defect(s) is discovered. If Purchaser has any problems with or questions about warranty service, please write Sunteca Systems, Inc. at Avenue A, Building #2, Leetsdale, PA 15056.

REPLACEMENT PARTS. Replacement parts supplied by Company under this Limited Warranty are not warranted.

RESALE OF PRODUCTS. Upon resale of any Products sold hereunder, Purchaser agrees to extend to its customers no greater warranties than those contained herein and limit its liability and remedies to the same extent as those set forth herein.

SEPARABILITY; INVALIDITY. If any portion of this Limited Warranty shall for any reason be held by a court of competent jurisdiction to be invalid and unenforceable, the valid and enforceable provisions will continue to be given effect and bind parties hereto.